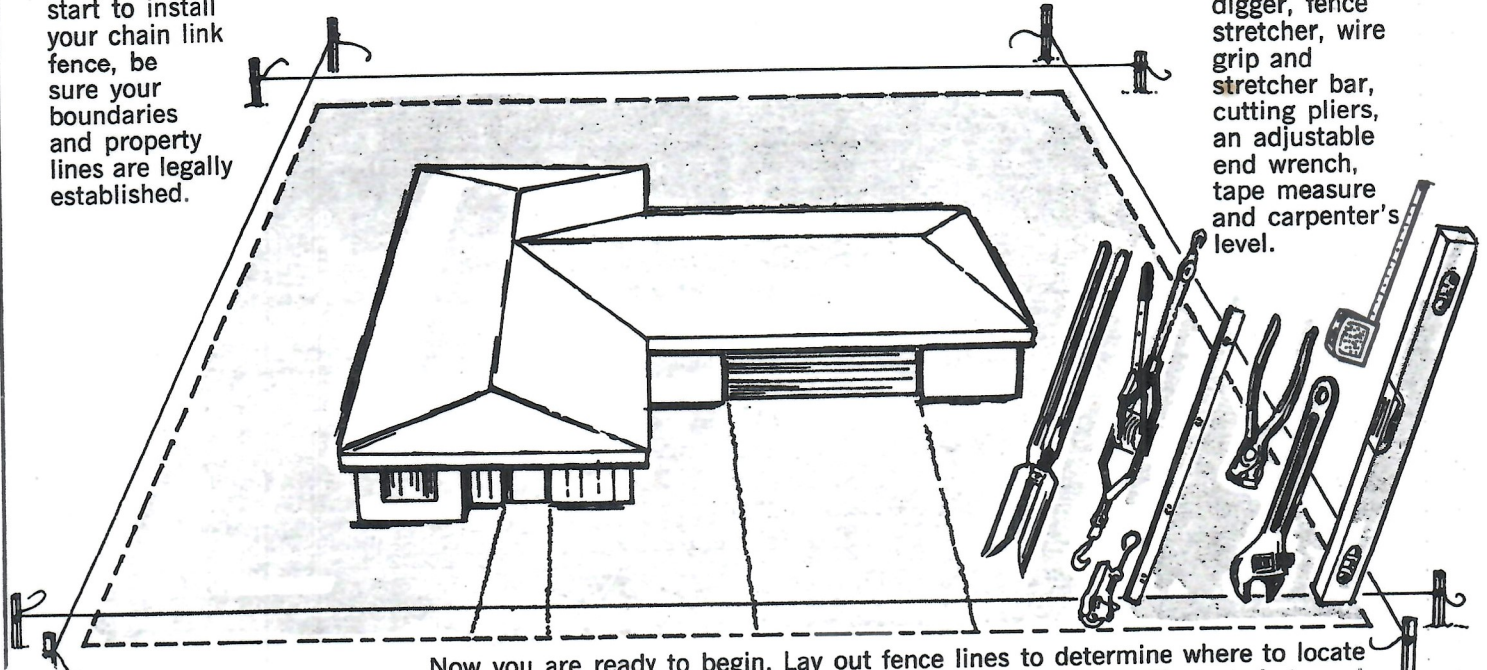


CHAIN LINK FENCE INSTALLATION INSTRUCTIONS

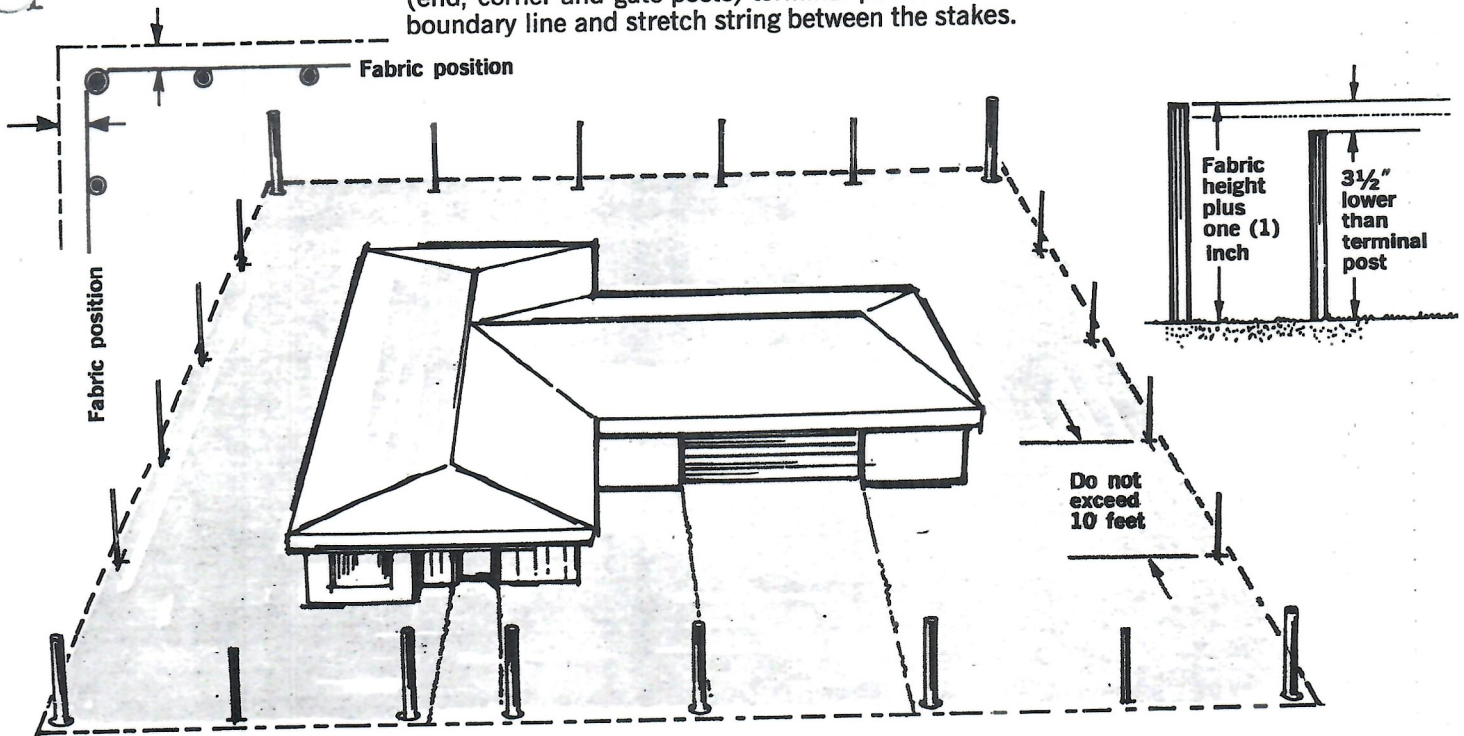
PLEASE READ ALL INSTRUCTIONS CAREFULLY BEFORE STARTING

Before you start to install your chain link fence, be sure your boundaries and property lines are legally established.

Tools needed:
Post hole digger, fence stretcher, wire grip and stretcher bar, cutting pliers, an adjustable end wrench, tape measure and carpenter's level.



Now you are ready to begin. Lay out fence lines to determine where to locate (end, corner and gate posts) terminal posts. Drive stakes as illustrated at exact boundary line and stretch string between the stakes.



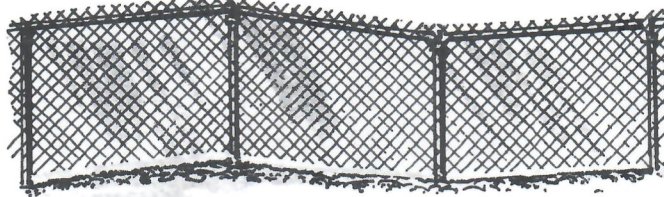
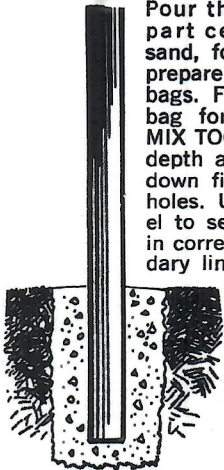
Position all terminal posts first. Set terminal posts two inches inside string lines, and one inch higher than fence fabric height. Post holes are normally two feet deep and at least six inches in diameter.

Next, mark line post locations. Space line posts evenly between terminal posts, but not more than ten feet apart.

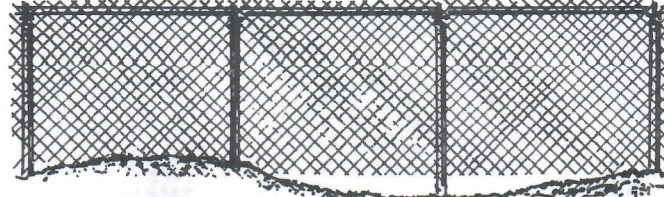
Dig post holes for line posts, using string lines to determine outside edge of post holes. Line posts should be $3\frac{1}{2}$ inches shorter than terminal posts. Outside edge of line posts should be $2\frac{1}{4}$ inches inside string line.
Determine gate openings. If you wish to install a 36-inch wide gate, leave exactly 36 inches between gate posts as measured from inside face of gate post.

SETTING POSTS IN CONCRETE:

Pour the concrete — one part cement, two parts sand, four parts gravel, or prepare dry cement mix in bags. Follow directions on bag for mixing. **DO NOT MIX TOO WET.** Pour a foot depth at a time and tamp down firmly to remove air holes. Use carpenter's level to set posts plumb and in correct position to boundary lines.

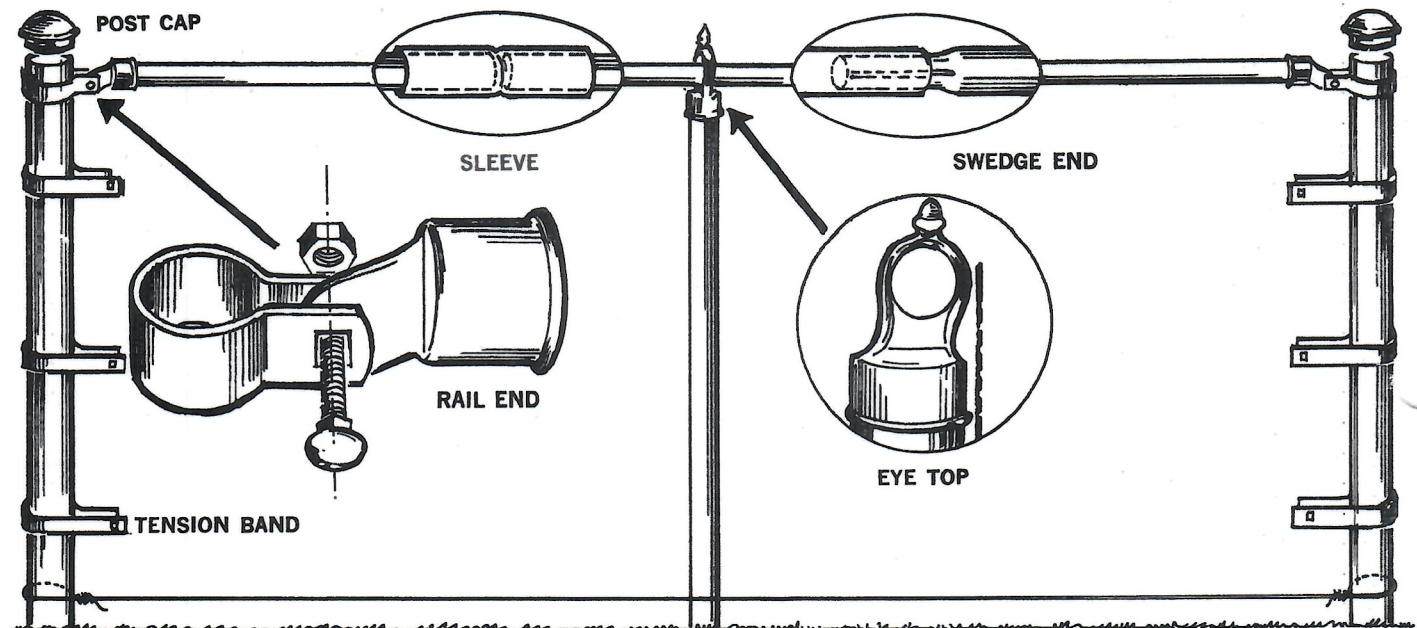


GROUND CONTOUR INSTALLATION



STRAIGHT CONTOUR INSTALLATION

No two pieces of ground are alike or completely level. You must take this into account as you determine your fence installation. To make the top of your fence straight, you must compensate for ground level variations by adjusting the amount of post above ground to a level line of sight. In some cases it may be necessary to trench the ground at a particular high ground level or if ground level is low, it may require filling with dirt.



After concrete has set long enough to be hard, normally one day, begin to assemble the fittings. Slide tension bands onto end and corner posts. Be sure long, flat side of tension band is to the outside or wire side of posts, and that there is approximately one band for each foot of the post. Place eyetops on each of the line posts with offset toward wire side of post.

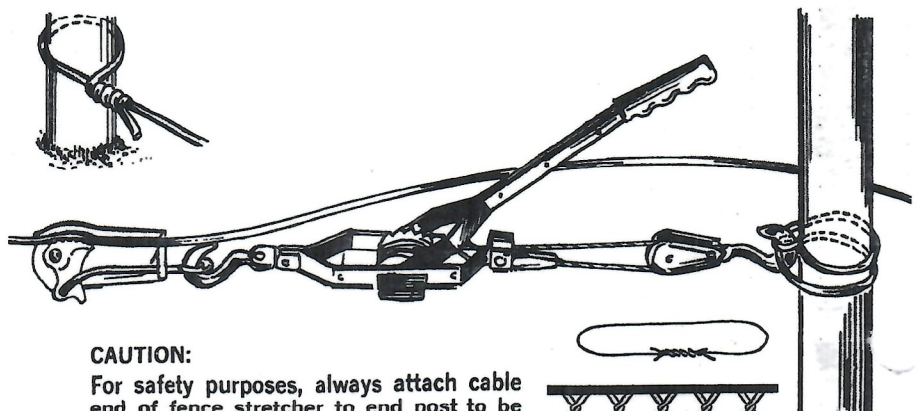
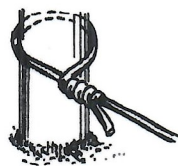
Place brace bands on terminal posts. Attach rail end fittings to brace bands bolting them together loosely as illustrated. Thread top rail through eyetop and into one rail end. In the event you

must join two lengths of top rail, make sure top rail joints are sleeved near a line post. Please note illustrations (A top rail sleeve is used to join two lengths of top rail together, however if a swaged end top rail is used no sleeve is necessary). Put on a sleeve and continue with top rail to next terminal post. Cut last length of top rail to fit all the way into sleeve and tightly into the remaining rail end. Once top rail is in position, tighten all brace band, and rail end bolts securely.

Put cap fittings on all terminal posts.

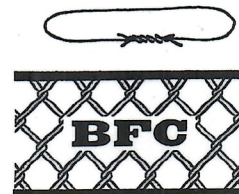
Next, install tension wire at the bottom of fence posts. To install tension wire, wrap tension wire once around the first end post and twist securely. Wire must be stretched tightly and attached to next end post. To stretch tension wire you may use a fence stretcher which can be rented from an equipment rental company. On one end of fence stretcher, hook wire gripper attachment. Wire gripper is attached to tension wire on the side secured to first end post. Attach hook on the cable end of fence stretcher, to the next end post - tension wire is to be secured to. In order to hook onto the end post, you will have to make a wire loop as shown in the illustration.

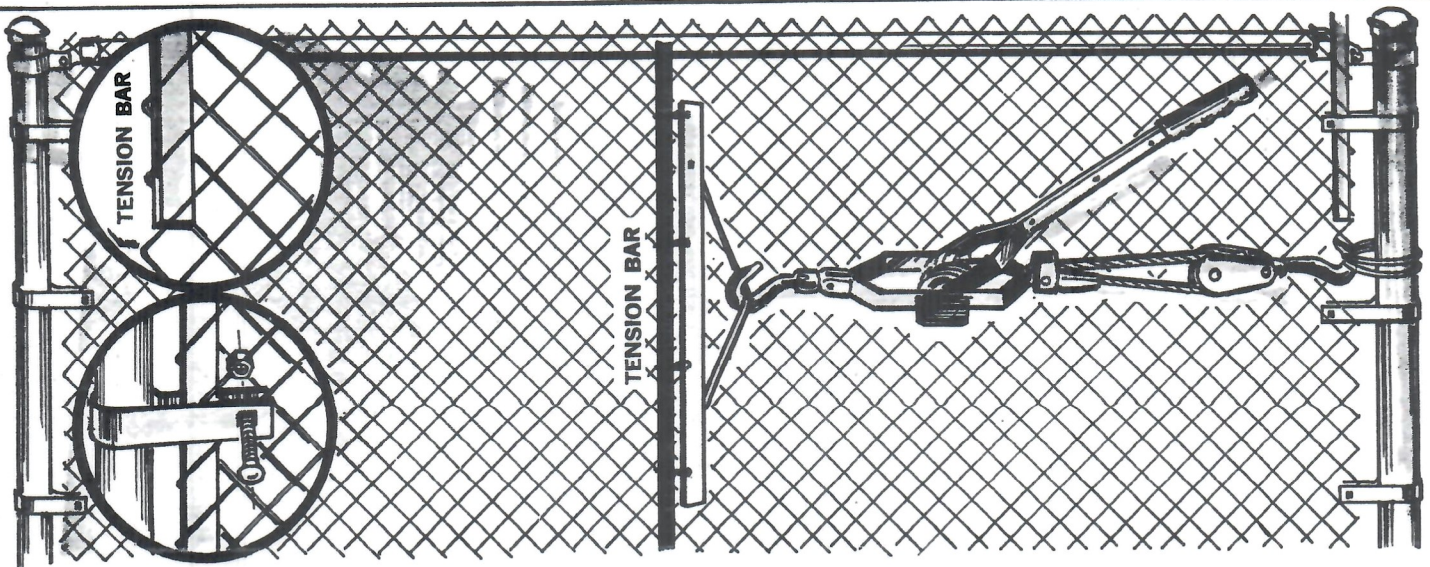
Pull tension wire tight and secure it to the end post.



CAUTION:

For safety purposes, always attach cable end of fence stretcher to end post to be stretched to.

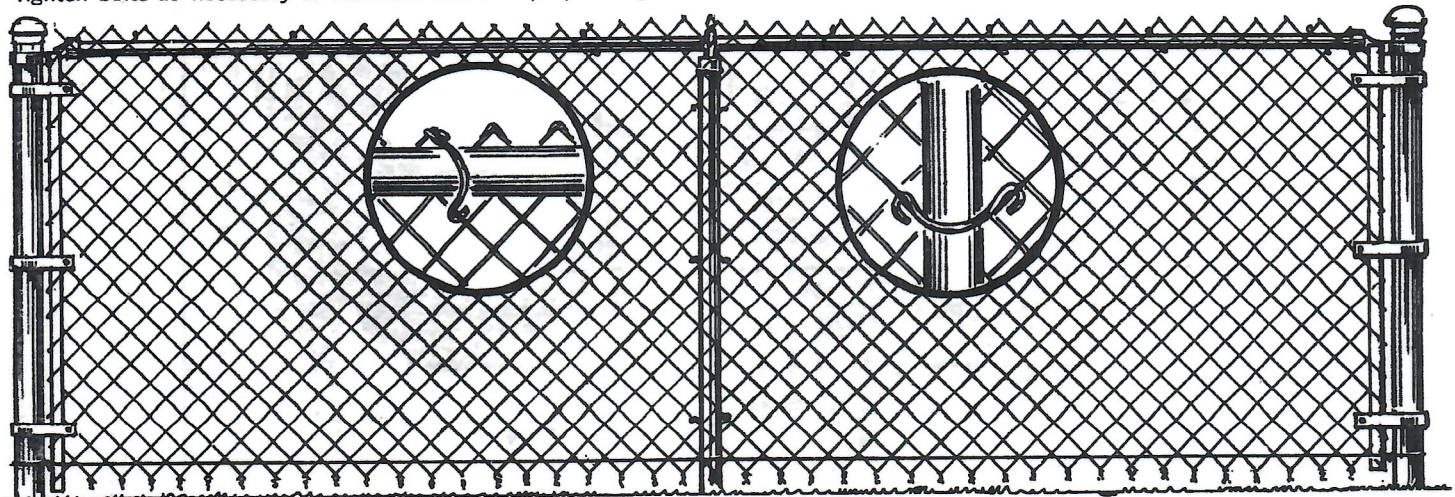




The wire fence fabric is next. Unroll it along wire side of the fence line with desired edge in position. Insert a tension bar thru the last vertical row of chain link wire, nearest a gate, end or corner post.

Stand end of chain link up and put tension bar in tension bands. Install band bolts with threads towards inside of fenced area. Tighten bolts as necessary to maintain fabric at proper height.

Unroll chain link against fence frame. Loosely secure fabric to top rail to hold vertically as necessary. Chain link fabric must be stretched to take out slack. Attach fence stretcher. It is connected between a stretcher bar attached to the chain link vertically and the corner or end post. Stretch fabric tight, remove excess fabric at end post (see illustration for splicing). Insert tension bar, attach to tension bands and bolts as before.

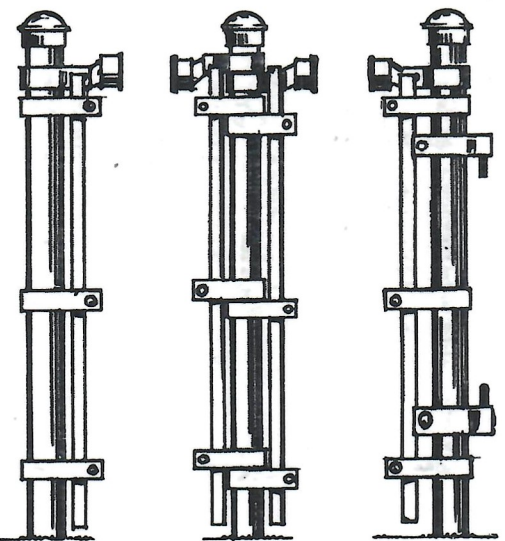
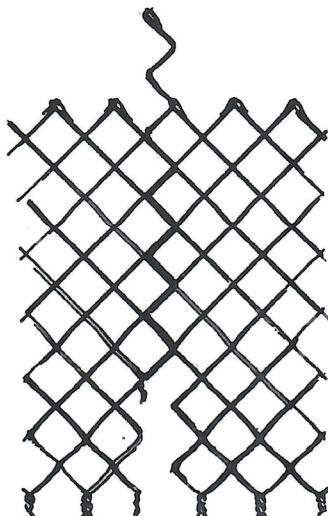


Tie fabric to fence frame. Tie fabric to top rail raising fabric to desired level as you do so. Space tie wires approximately 24" apart. Make three ties on each line post. Tighten nuts on all tension and brace band bolts. Please note illustration. You may install chain link fabric two ways. The fabric has smooth loops on one end and barbed ends on the other. For most residential installations it is recommended that fabric is installed with smooth edge up. In the event, added security is necessary, you may install fabric with barbs up.

The correct length of chain link wire is usually cut and packaged for your individual job, however, since chain link comes in rolls of 100 foot lengths, it may be necessary to splice or shorten the rolls. In the event this is necessary, you may splice or shorten chain link as illustrated below.

To shorten or take two sections apart, untwist wire at barbed end of fabric at the desired place. Loosen wire at top of fabric and begin to corkscrew the loosened picket out, separating the two sections.

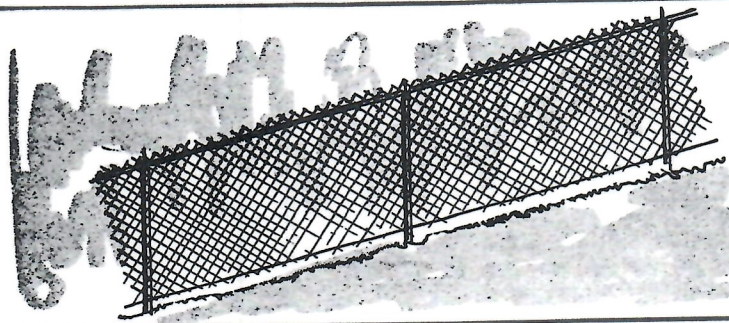
To splice two sections, you must be sure you start with a whole diamond and a half diamond at the top of the fabric. Corkscrew wire picket down through the ends of the sections. Twist the wires together at barbed ends and attach top of picket to the looped end.



END POSTS CORNER POSTS GATE POSTS

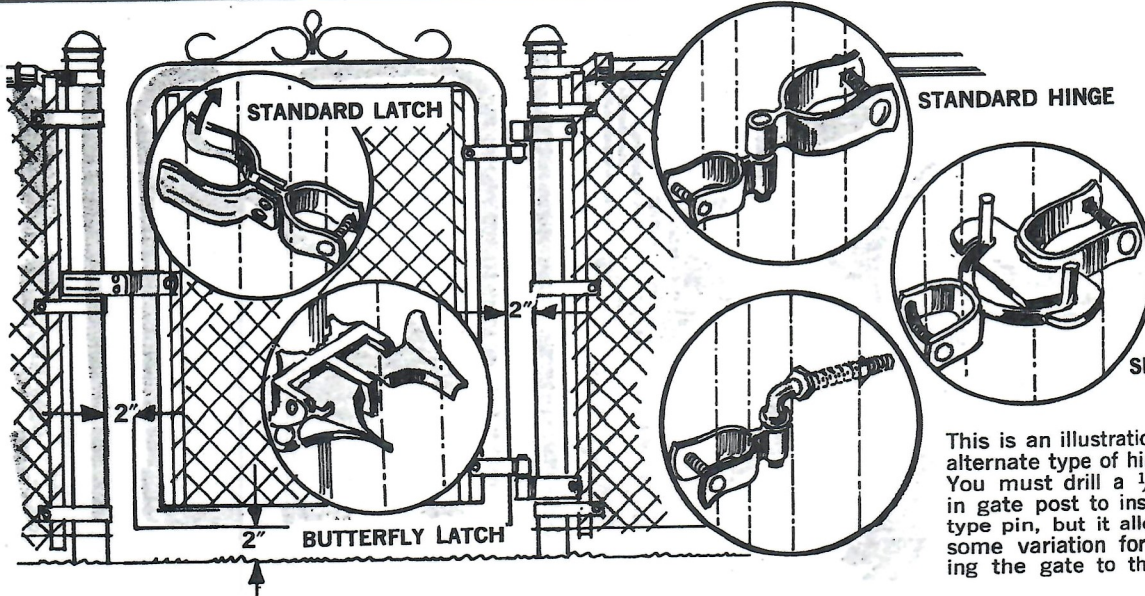
These are illustrations of the three fence post installations as they should be with their respective fittings.





HILLSIDE SLOPE:

Hillside installations are a special problem. The posts are installed vertically on the slope while the chain link is square. So the corners must be "clipped off". The tension bars are put thru the chain link parallel to the post and the excess trimmed off. Also, the length of the post must be proportionately longer, depending on slope angles (see illustration).



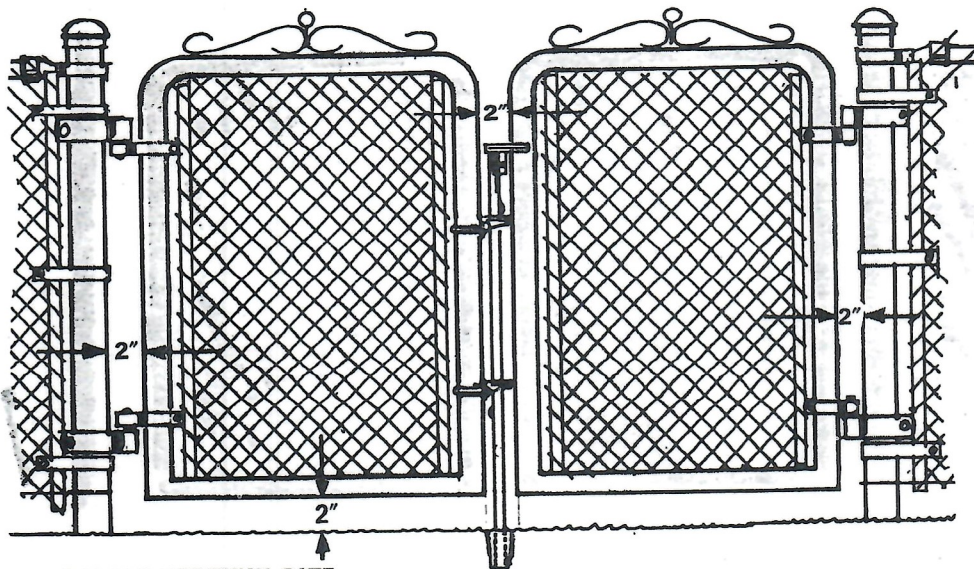
There are two basic types of latches: One is the standard latch as illustrated and the other is a butterfly latch, also illustrated. This is a self-latching fitting and is used primarily for self-closing gates. To make your single gate a self-closing gate, install a butterfly latch and a self-closing hinge set (see illustration).

This is an illustration of an alternate type of hinge pin. You must drill a 1/2" hole in gate post to install this type pin, but it allows you some variation for adjusting the gate to the latch.

WALK-IN GATE:

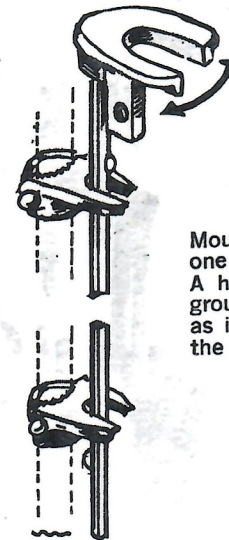
Set gate posts to exact opening dimension. For example, for a three foot opening set gate posts exactly three feet apart measured from the inside face of each post. The width of the gate is 32" leaving 2" on each side of the gate for hinges and latches. The gate hinges should be mounted with top hinge pin

down and bottom hinge pin up. Hang gate to give 2" clearance at the ground. Mount the bottom gate hinge on bottom pin first so top of gate is parallel to top of fence fabric. Adjust top gate hinges accordingly. Mount gate latch to gate frame.



DOUBLE/DRIVEWAY GATE

To install a double opening gate, for example across a driveway, determine exact opening, dimensions measured from inside face to inside face of gate posts. Allow 2" at the bottom of the gates for ground clearance, and 2" clearance for each opening hinge and latch, a total of six inches. Mount gate hinge and hinge pins the same as the single gate, being sure to line top of gates parallel with fence fabric.



Mount gate latch to one of the gate frames. A hole or notch in the ground should be made as illustrated, to secure the double gate latch.

Congratulations on a job well done!

DEALER:



BUILDERS FENCE COMPANY, INC.
SUN VALLEY, CALIFORNIA

©2008 Builders Fence Company, Inc.